



UNIT CODE	DESCRIPTION
C-TDR 960-48	<b>960 Watt, 48V, Three Phase, Single Output, Compact DIN RAIL Power Supply with PFC and Parallel Function</b>

SPECIFICATIONS		
AC Input	Output	Approvals
Three-Phase (340~550VAC Input Range)	+48VDC @ 0~20A	Parallel   <b>CB</b> <b>CE</b>

### Features at a Glance:

- Three-Phase 340 ~ 550VAC  
(Dual phase operation possible) 480 ~ 780VDC
- Current sharing up to 3840W (3+1)
- High efficiency 94.5% and low power dissipation
- Built-in: active PFC function, PF>0.94, Constant current limiting circuit, DC OK relay contact (alarm), Front panel DC voltage adjustment (100~115%), LED indicator for power ON
- Wide operational temperature range -30 ~ +70°C
- Slim (110mm) Installed on DIN rail TS35 / 7.5 or 15
- Protections: Short circuit / Over load / Over voltage / Over temp.
- Quiet - Cooling by natural (free air) convection
- 100% full load burn-in test & 3 year warranty
- Safety standards & EMC: UL508 approved, IEC60950-1 CB approved by SIQ N61000-6-2 (EN50082-2) industrial immunity level
- Certificates: UL / CB / CE
- MTBF hours: 59.4K hrs. MIL-HDBK-217F (25°C)
- Case: 214A
- Weight: 5.4 Lbs. (2.47 Kgs)
- Dimensions: 4.3" W x 4.9" H x 5.9" D  
110 x 125.2 x 150mm (W\*H\*D)



The C-TDR-960 series is a three phase industrial DIN rail power supply with built-in PFC function, a compact design (110mm wide), high efficiency (94% and parallel function.

C-TDR960 features a 340~550VAC input range for use in general three phase power systems. It can be operated at the full load of 960W at up ambient temperatures up +50°C (or up to +70°C with some derating). With an overload protection function designed as constant current limiting and delayed shutdown, C-TDR-960 can be used in all kinds of critical loading conditions, such as inductive or capacitive loads. Functions include DC OK relay contact alarm signal output, parallel function (up to 4 units), as well as protections for short-circuit, over load, over voltage, and over temperature.

Suitable applications include include industrial control systems, semi-conductor fabrication equipment, factory automation, electro-mechanical applications, and any installations with requirements for fan-less or low noise operation.

Pricing	1-9	\$ 659.00
	10+	\$ 627.50
	25+	\$ 599.00

POLLOCK INDUSTRIES, INC. 81 Butternut Road, White River, VT 05001  
toll-free 1-866-665-5434 (603) 888-2467 sales@pollock.biz



■ Features :

- Three-Phase 340 ~ 550VAC wide range input (Dual phase operation possible)
- Width only 110mm
- Built-in active PFC function compliance to EN61000-3-2
- High efficiency 94.5% and low power dissipation
- Protections: Short circuit / Overload / Over voltage / Over temperature
- Cooling by free air convection
- Built-in constant current limiting circuit
- Can be installed on DIN rail TS-35/7.5 or 15
- UL508(industrial control equipment)approved
- EN61000-6-2(EN50082-2) industrial immunity level
- Current sharing up to 3840W(3+1)
- Built-in DC OK relay contact
- 100% full load burn-in test
- 3 years warranty

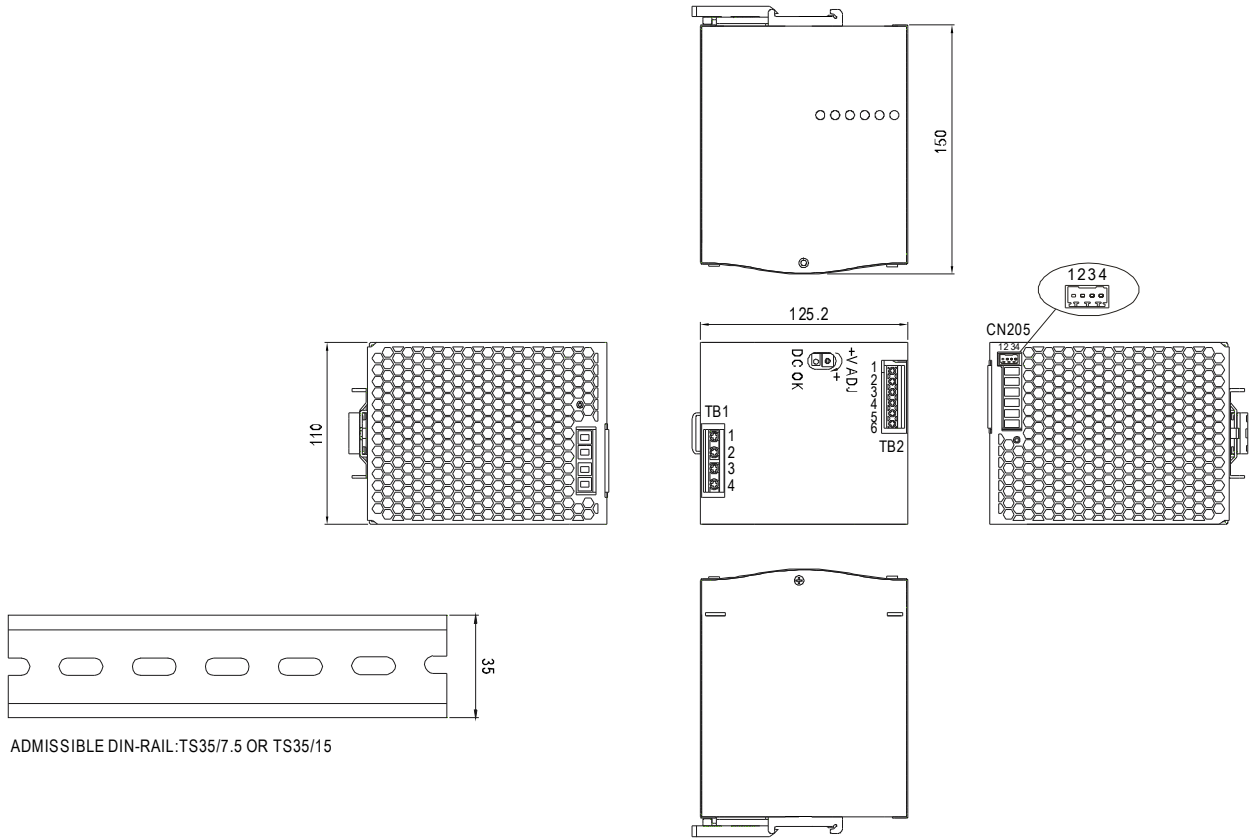


SPECIFICATION

MODEL		TDR-960-24	TDR-960-48
OUTPUT	DC VOLTAGE	24V	48V
	RATED CURRENT	40A	20A
	CURRENT RANGE	0 ~ 40A	0 ~ 20A
	RATED POWER	960W	960W
	RIPPLE & NOISE (max.) Note.2	180mVp-p	250mVp-p
	VOLTAGE ADJ. RANGE	24 ~ 28V	48 ~ 55V
	VOLTAGE TOLERANCE Note.3	±1.0%	±1.0%
	LINE REGULATION	±0.5%	±0.5%
	LOAD REGULATION	±1.0%	±1.0%
	SETUP, RISE TIME	100ms, 100ms/400VAC    800ms, 100ms/500VAC at full load	
HOLD UP TIME (Typ.)	12ms / 400VAC    14ms / 500VAC at full load		
INPUT	VOLTAGE RANGE Note.4	Three-Phase 340 ~ 550VAC (Dual phase operation possible) 480 ~ 780VDC	
	FREQUENCY RANGE	47 ~ 63Hz	
	POWER FACTOR (Typ.)	PF ≥ 0.88/400VAC    PF ≥ 0.86/500VAC at full load	
	EFFICIENCY (Typ.)	94%	
	AC CURRENT (Typ.)	2A/400VAC    1.4A/500VAC	
	INRUSH CURRENT (Typ.)	COLD START 60A	
LEAKAGE CURRENT	<3.5mA / 530VAC		
PROTECTION	OVERLOAD	105 ~ 130% rated output power Protection type : Constant current limiting, unit will shut down after 3 sec. ,re-power on to recover	
	OVER VOLTAGE	29 ~ 33V	56 ~ 65V
	OVER TEMPERATURE	90°C ±5°C (TSW) detect on heatsink of power switch	85°C ±5°C (TSW) detect on heatsink of power switch
		Protection type : Shut down o/p voltage, recovers automatically after temperature goes down	
FUNCTION	DC OK REALY CONTACT RATINGS (max.)	60Vdc/0.3A, 30Vdc/1A, 30Vac/0.5A resistive load	
	CURRENT SHARING	Please refer to function manual	
ENVIRONMENT	WORKING TEMP. Note.5	-30 ~ +70°C (Refer to "Derating Curve")	
	WORKING HUMIDITY	20 ~ 95% RH non-condensing	
	STORAGE TEMP., HUMIDITY	-40 ~ +85°C, 10 ~ 95% RH	
	TEMP. COEFFICIENT	±0.03%/°C (0 ~ 50°C)	
	VIBRATION	Component:10 ~ 500Hz, 2G 10min./1cycle, 60min. each along X, Y, Z axes; Mounting: Compliance to IEC60068-2-6	
SAFETY & EMC (Note 4)	SAFETY STANDARDS	UL508 approved, IEC60950-1 CB approved by SIQ	
	WITHSTAND VOLTAGE	I/P-O/P:3KVAC    I/P-FG:2KVAC    O/P-FG:0.5KVAC    O/P-DC OK:0.5KVAC	
	ISOLATION RESISTANCE	I/P-O/P, I/P-FG, O/P-FG:>100M Ohms / 500VDC / 25°C / 70% RH	
	EMC EMISSION	Compliance to EN55022 (CISPR22), EN61204-3 Class B, EN61000-3-2,-3	
EMC IMMUNITY	Compliance to EN61000-4-2,3,4,5,6,8,11, EN55024, EN61000-6-2(EN50082-2), EN61204-3, heavy industry level, criteria A		
OTHERS	MTBF	59.4K hrs min.    MIL-HDBK-217F (25°C)	
	DIMENSION	110*125.2*150mm (W*H*D)	
	PACKING	2.47Kg ; 6pcs/15.8Kg/1.47CUFT	
NOTE	<ol style="list-style-type: none"> <li>1. All parameters NOT specially mentioned are measured at 400VAC input, rated load and 25°C of ambient temperature.</li> <li>2. Ripple &amp; noise are measured at 20MHz of bandwidth by using a 12" twisted pair-wire terminated with a 0.1uf &amp; 47uf parallel capacitor.</li> <li>3. Tolerance : includes set up tolerance, line regulation and load regulation.</li> <li>4. Dual phase operation is allowed under certain derating to output load. Please refer to derating curves for details.</li> <li>5. Installation clearances : 40mm on top, 20mm on the bottom, 5mm on the left and right side are recommended when loaded permanently with full power. In case the adjacent device is a heat source, 15mm clearance is recommended.</li> <li>6. The power supply is considered a component which will be installed into a final equipment. The final equipment must be re-confirmed that it still meets EMC directives.</li> </ol>		

**Mechanical Specification**

Case No.214A Unit:mm



ADMISSIBLE DIN-RAIL: TS35/7.5 OR TS35/15

Terminal Pin No. Assignment (TB1)

Pin No.	Assignment
1	FG $\oplus$
2	AC/L3
3	AC/L2
4	AC/L1

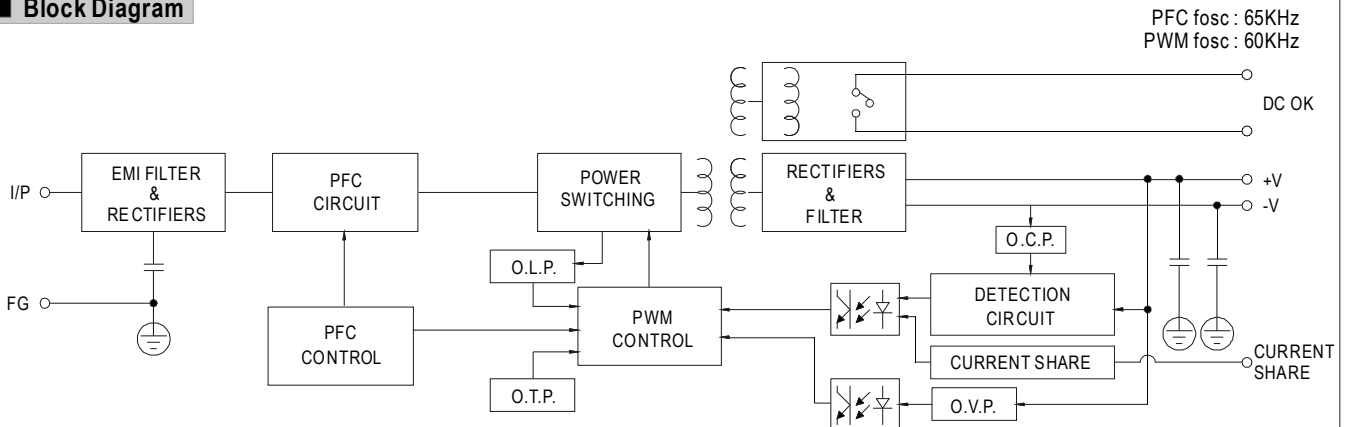
Terminal Pin No. Assignment (TB2)

Pin No.	Assignment
1,2,3	DC OUTPUT +V
4,5,6	DC OUTPUT -V

Control Pin (CN205) : DINKLE ECH250R-04P or equivalent

Pin No.	Assignment	Mating Housing	Wire Diameter
1	P-(Current Share)	DINKLE ESC250V-04P or equivalent (Including in the single package)	0.081~0.517mm <sup>2</sup> (28~20AWG)
2	P+(Current Share)		
3,4	DC OK Relay Contact		

**Block Diagram**

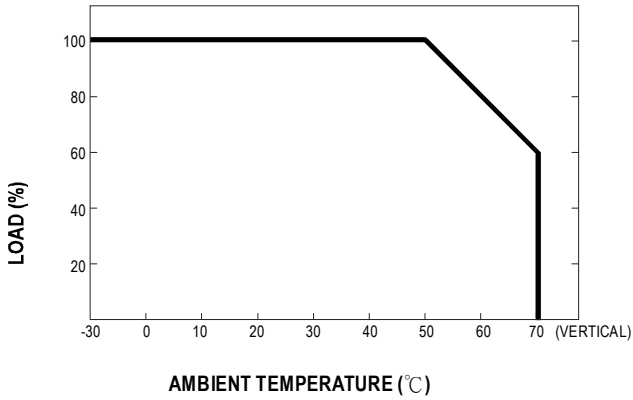


PFC fosc : 65KHz  
PWM fosc : 60KHz

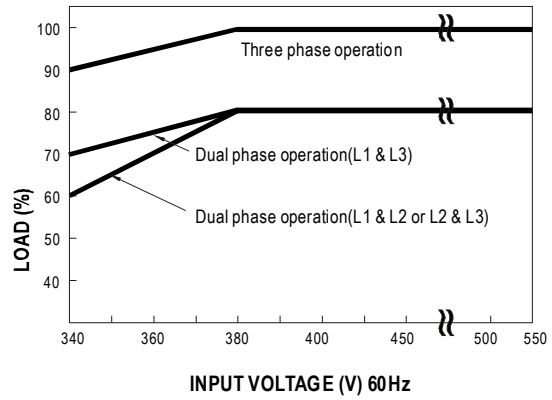
**DC OK Relay Contact**

Contact Close	PSU turns on / DC OK.
Contact Open	PSU turns off / DC Fail.
Contact Ratings (max.)	30V/1A resistive load.

Derating Curve



Output derating VS input voltage



Function Manual

1. Current sharing

- (1) Parallel operation is available by connecting the units shown as below (P+,P- are connected mutually in parallel).
- (2) Difference of output voltages among parallel units should be less than 0.2V.
- (3) The total output current must not exceed the value determined by the following equation (Output current at parallel operation)=(The rated current per unit) x (Number of unit) x 0.9.
- (4) In parallel operation 4 units is the maximum, please consult the manufacture for other applications.
- (5) The power supplies should be paralleled using short and large diameter wiring and then connected to the load.
- (6) When in parallel operation, the minimum output load should be greater than 5% of total output load.  
(Min. load >5% rated current per unit x number of unit)
- (7) In parallel connection, maybe only one unit (master) operate if the total output load is less than 5% of rated load condition.  
The other PSUs (slaves) may go into standby mode and their output LEDs & relays will not turn on.
- (8) Some minor noise may be heard at light load condition under parallel operation.  
This is a normal phenomenon and the performance of the PSU will not be influenced.

