

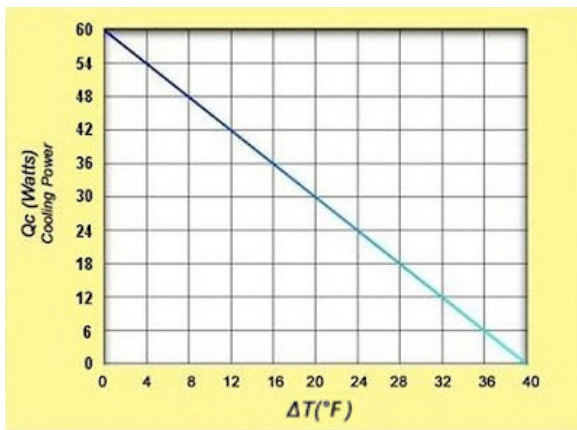


UNIT CODE	DESCRIPTION
TAC60E-12	Environmentally Protected Thermoelectric Air Conditioner

SPECIFICATIONS

Current I_{max}	Voltage V_{max}	Cooling Capacity Q_{max}	Maximum Delta T ΔT_{max}
7.2 Amps	12 Volts	60 Watts	40° F

TAC-60 performance curve



AIR CONDITIONER FOR OUTDOOR ENCLOSURES (IP55 RATED)

Optional Accessories for TAC60-E

Z31-A Single Set Point Temperature Controller
Data sheet: electracool.com/Z31A.html



\$169.00 with NTC probe (-50 to +150C operational range)

PS150W-12V 150 Watt Power Supply Single Output, Universal AC Input.
Data sheet: electracool.com/PS150-12.pdf



\$ 69.00
with 3-prong cord

For use with almost any outdoor electronics enclosure or control panel. The environmentally protected TAC60 "E" has epoxy sealed pass-throughs and external fans designed to meet harsh environmental conditions. Multiple units can be connected together to increase cooling capacity.

TAC60-E can be connected to our Z31-A temperature controller (left) for cooling or warming.

Operating Temp. Range: -15°C to +100°C
Cooling Capacity = 60 Watts @ 25°C ambient
Heating Capacity w/25°C ambient air = 84 Watts

Dimensions: 4"x4"x 6 5/8" (100x100x195mm)
Weight: 3 lbs. 8 oz. (2.1-Kg)

\$249 (\$199 at 10+)

Get a set for \$449

1 each: TAC60-E, Z31-A and PS150W12V

Click for more information

toll-free 1-866-665-5434 (603) 888-2467 sales@electracool.com



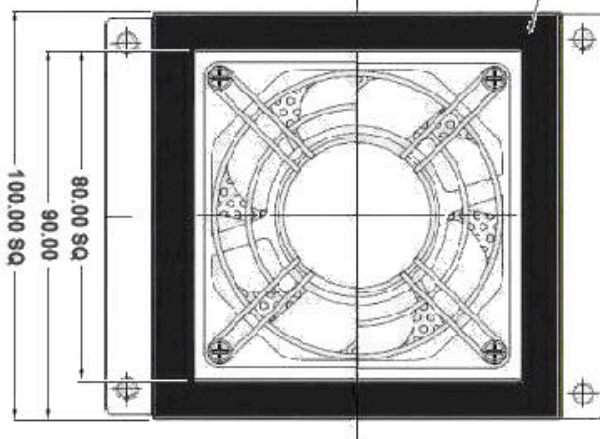
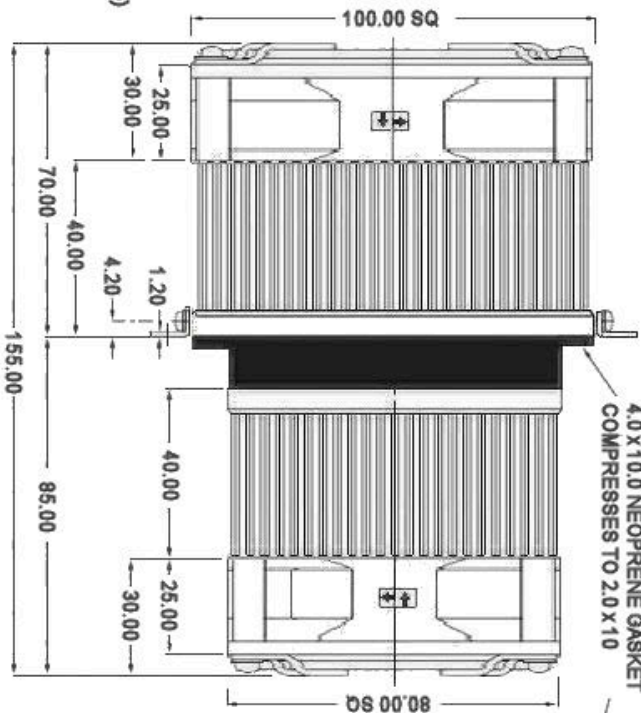
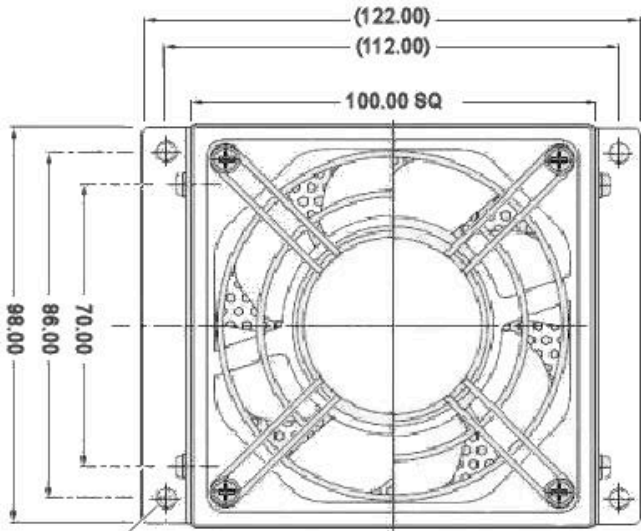
THIS DRAWING IS THE PROPERTY OF POLLOCK INDUSTRIES, INC. AND MAY NOT BE REPRODUCED WITHOUT THE WRITTEN PERMISSION OF AN OFFICER OF THE COMPANY. COPYRIGHT © 2015 POLLOCK INDUSTRIES, INC. ALL RIGHTS RESERVED.

REVISIONS		DRAWING PIU8GTT EFFECTIVE 12-1-15	
DCP #	REV	DESCRIPTION	
	A	ORIGINAL ILLUSTRATION	

HOT-SIDE
MOUNT OUTSIDE

TAC-60 TECHNICAL ILLUSTRATION

COLD-SIDE
MOUNT INSIDE



PART NUMBER	DESCRIPTION
TAC-60	IP20 THERMOELECTRIC AIR CONDITIONER
TAC60-E	IP55 THERMOELECTRIC AIR CONDITIONER

NOTES: UNLESS OTHERWISE SPECIFIED
 INTERPRET DRAWING IN ACCORDANCE WITH MIL-T-3100
 DIMENSIONS ARE METRIC IN MILLIMETERS AND FOR REFERENCE PURPOSES ONLY.
 HEATSINKS ARE 6063 ALUMINUM WITH A CLEAR ANODIZED FINISH
 FANS ARE MEDIUM SPEED, IP 20 DC BRUSHLESS - TAC60-E HOT-SIDE FAN IP55 RATED
 BREAK AND DEBURR ALL SHARP EDGES
 TAC-60 IS FOR USE IN A CLEAN, DRY ENVIRONMENT
 TAC60-E IS ENVIRONMENTALLY PROTECTED AND MAY BE USED OUTSIDE



DISCLAIMER: ALL STATEMENTS AND TECHNICAL INFORMATION CONTAINED HEREIN, ARE BASED IN INFORMATION AND/OR TESTS WE BELIEVE TO BE ACCURATE AN RELIABLE. SINCE CONDITIONS OF USE ARE BEYOND OUR CONTROL, THE USER SHALL DETERMINE THE SUITABILITY OF THE PRODUCT FOR THE INTENDED USE AND ASSUME ALL RISK AND LIABILITY WHATSOEVER IN CONNECTION THEREWITH.

TOLERANCES:
 UNLESS OTHERWISE SPECIFIED,
 DIMENSIONS ARE FOR REFERENCE PURPOSES ONLY

DRAWN BY:	DATE:	DRAWING TITLE:	SCALE:	SHEET:
WK	12-1-15	TAC-60 (E) THERMOELECTRIC AIR CONDITIONER ILLUSTRATION	NTS	1 OF 1
CHECKED BY:	DATE:	SIZE DWG. NO.	U.O.M.: mm	
JP	12-1-15	A PIU8GTT		
ATE:		ELECTRONIC FILE		
		REV		
		A		