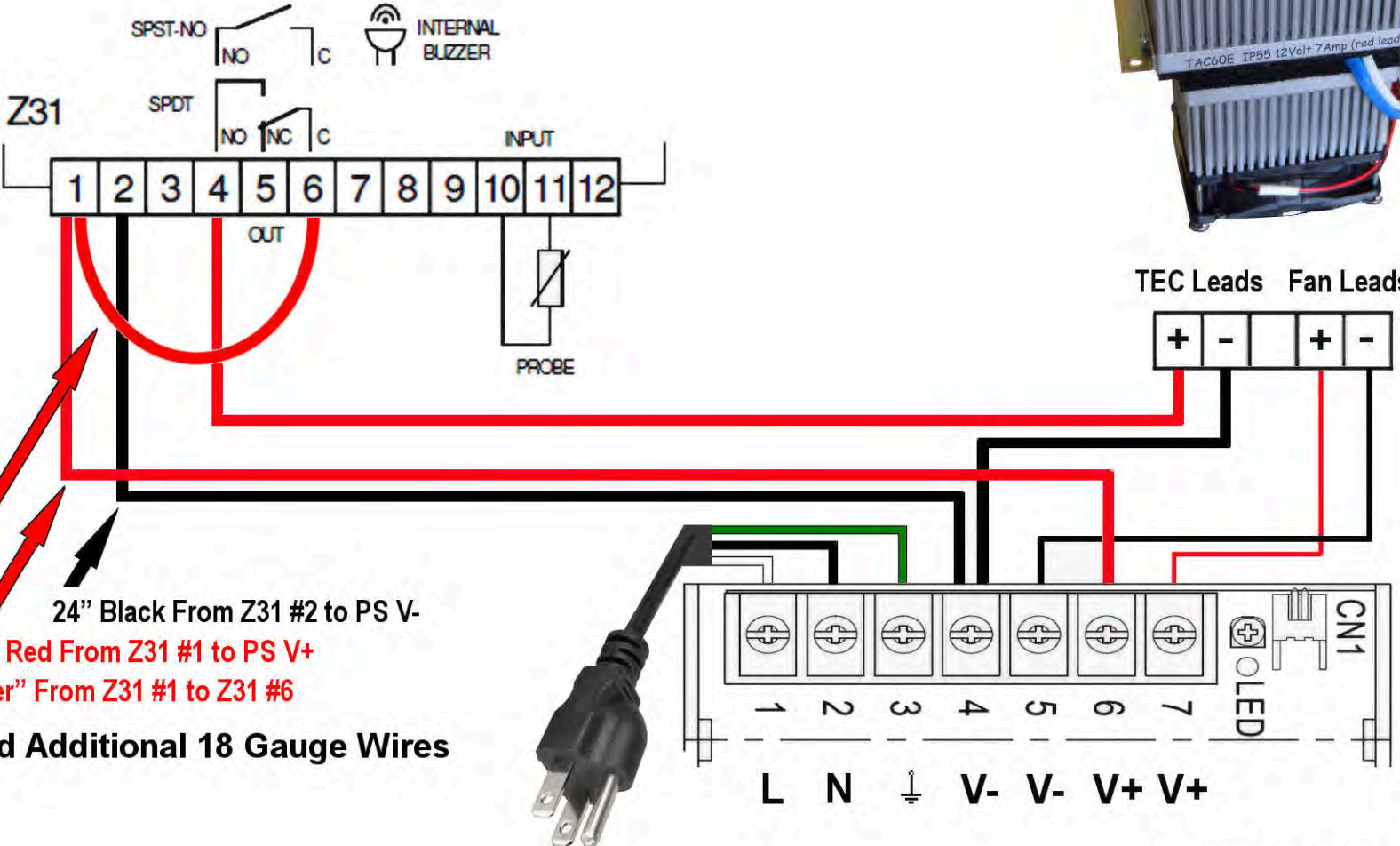
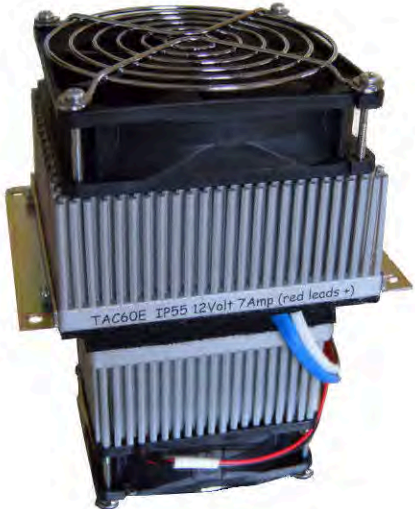


# ElectraCOOL TAC60™ to Z31 Controller Wiring Illustration



24" Black From Z31 #2 to PS V-  
 24" Red From Z31 #1 to PS V+  
 3" "Jumper" From Z31 #1 to Z31 #6

**Required Additional 18 Gauge Wires**